

**halliday
baillie**

HB 690 / HB 690-35

SLIDING DOOR PRIVACY SET

The Halliday+Baillie HB 690 sliding door privacy set features an integrated push button-activated edge pull for pocketed doors. The operable snib slides upwards to engage the lock. The discrete emergency release can be operated with a pen or other small pointed object to disengage the lock from the outside. For narrower doors (35-38mm) flush pulls either side are shallower than the standard HB 690 flush pulls.

In double door conditions, for the passive leaf specify the HB 697 Strike Body w/Edge Pull and add HB 660 Flush Pulls.

Backset : 55mm

Minimum door thickness HB 690 : 38mm

Minimum door thickness HB 690-35 : 35-38mm

Flush pulls : 170mm x 36mm x 15mm

Suitable for timber or aluminium doors

Please check with your local Halliday + Baillie representative as not all finishes are available in all regions.

Available in the following finishes :

SC : Satin Chrome

BC : Brushed Chrome

PC : Polished Chrome

BN : Brushed Nickel

PN : Polished Nickel

DB : Dark Bronze

KC : Black Chrome (by special order)

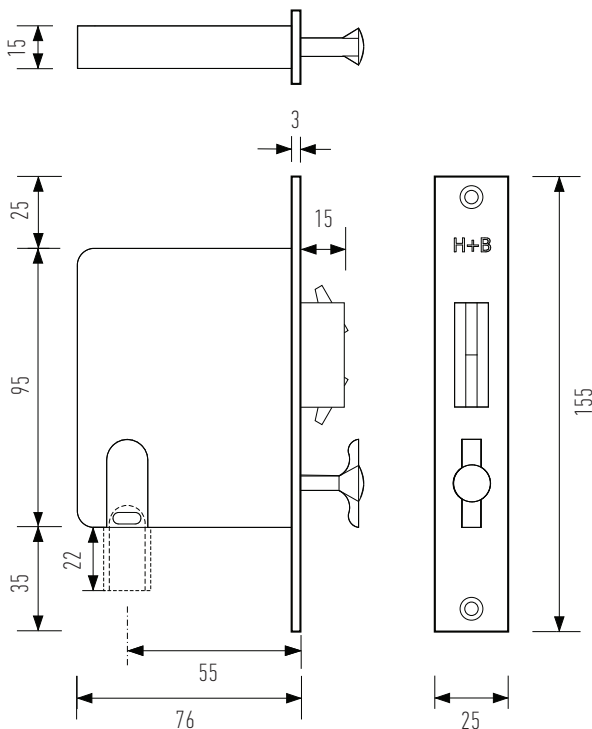
PB : Polished Brass (by special order)

Standard HB 690 set includes:

- HB 690 Series Lock Body
- 2 Flush Pulls and HB 604 Timber Fixing Kits
- Strike and Dust Box
- Spindle (please specify door thickness)
- Fasteners



Lock body :



Designed and made in New Zealand. For more information, installation templates, and measured drawings of this product and others please visit : www.hallidaybaillie.com or contact your authorized Halliday + Baillie dealer. All information subject to change. © 2015 Halliday + Baillie Ltd.